



„WG-Electronicflow“

The intelligent measuring cartridge system
electronic with LCD display

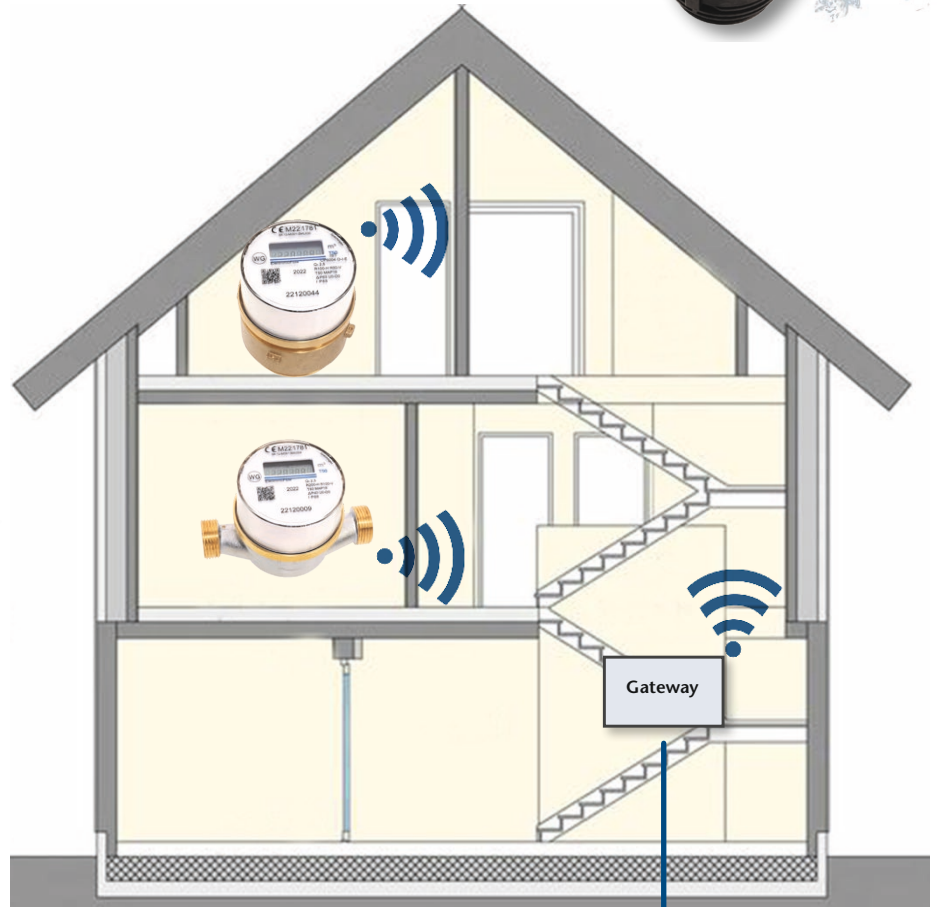
- MID Measuring class: Horizontal R100 / Vertical R50
- Radio type: 868 MHz (T1 / C1), wM-Bus, OMS-compatible
- Protection: IP68
- Temperature range: cold water up to T50°C / warm water up to T90°C
- Configuration with NFC interface
- Alert for: manipulation, leakage and pipe break, battery status, transmission error
- Forward and backward flow recognition
- Long term memory for up to 15 end of the month values



The intelligent measuring cartridge system
WG-ElectronicFlow

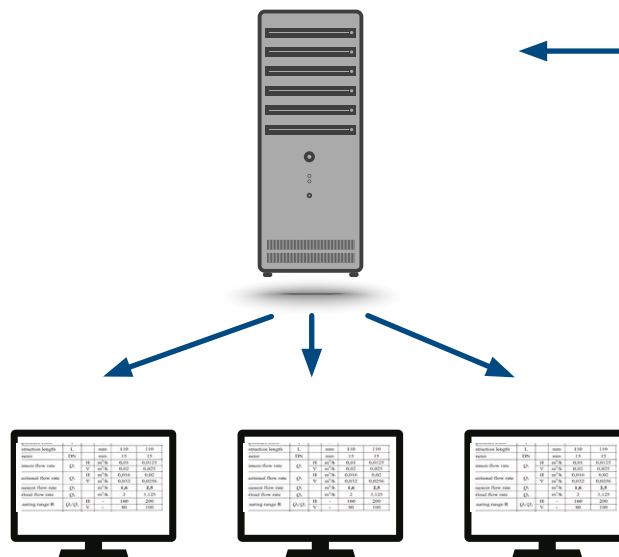
Remote reading

WALK-BY



GSM

REMOTE DATA TRANSMISSION



Abrechnung	U	mm	1.10	1.10
Abrechnung	100%	100%	1.10	1.10
Abrechnung	100%	100%	1.10	1.10
Abrechnung	100%	100%	1.10	1.10
Abrechnung	100%	100%	1.10	1.10
Abrechnung	100%	100%	1.10	1.10
Abrechnung	100%	100%	1.10	1.10
Abrechnung	100%	100%	1.10	1.10
Abrechnung	100%	100%	1.10	1.10

Abrechnung	U	mm	1.10	1.10
Abrechnung	100%	100%	1.10	1.10
Abrechnung	100%	100%	1.10	1.10
Abrechnung	100%	100%	1.10	1.10
Abrechnung	100%	100%	1.10	1.10
Abrechnung	100%	100%	1.10	1.10
Abrechnung	100%	100%	1.10	1.10
Abrechnung	100%	100%	1.10	1.10
Abrechnung	100%	100%	1.10	1.10

Abrechnung	U	mm	1.10	1.10
Abrechnung	100%	100%	1.10	1.10
Abrechnung	100%	100%	1.10	1.10
Abrechnung	100%	100%	1.10	1.10
Abrechnung	100%	100%	1.10	1.10
Abrechnung	100%	100%	1.10	1.10
Abrechnung	100%	100%	1.10	1.10
Abrechnung	100%	100%	1.10	1.10
Abrechnung	100%	100%	1.10	1.10





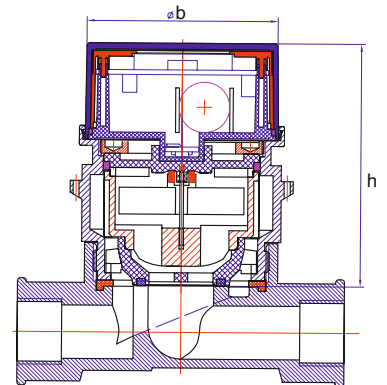
The intelligent measuring cartridge system WG-ElectronicFlow

Remote reading

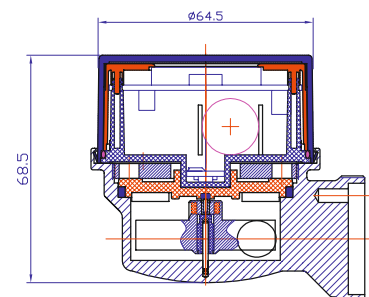
Compatible with	A34	MOE / MOC	HT2	IST	IST Grivory
Connection thread	M77x1.5	M65x2	M66x1	G2"	G2"
Diameter of the meter $\varnothing b$	64.5	64.5	64.5	64.5	64.5
Height h	64.5	77.7	54.6	81.6	69.9
Weight in kg	0.97	0.90	0.83	0.89	0.62

Compatible with	PLK	TE1	MB2	MB3	DM1
Connection thread	G2 1/4"	M62x2	M80x1.5	M76x1.5	M60x2
Diameter of the meter $\varnothing b$	64.5	64.5	64.5	64.5	64.5
Height h	67	64.5	64.5	74.2	64.5
Weight in kg	0.94	0.93	1.28	0.96	0.88

Compatible with	WE1	K3 / W3	WGU
Connection thread	M78x1.5	M64x2	M66x1.25
Diameter of the meter $\varnothing b$	64.5	64.5	64.5
Height h	64.5	64.5	54.9
Weight in kg	1.01	0.78	0.87



Compatible with	Measuring head VTZ-E
Connection thread	M38x1.5
Diameter of the meter	64.5
Height	68.5
Weight in kg	0.53





The intelligent measuring cartridge system WG-ElectronicFlow

Remote reading

Measuring class	R	H 100 / V 50
Display range	m ³	99 999
Measurements	m ³	0.001
Permitted maximum pressure		MAP16
Operating pressure range	bar	0.3 up to 10
Pressure loss		Δp 63
Temperature		T50° / T90°
Stabilization distance		U0; D0
Mounting position		H / V
Climatic and mechanical conditions/environment		closed space from 5 °C bis 55 °C mech. class M1
Electromagnetic conditions/environment		E2
Battery		3V Lithium battery
Life span		10 years
Starting amount	L/h	8L
Encryption		AES 128, Mode 5
Transmission capacity		14 dBm
Automatic radio activation		10 L/h for 2 min or directly with NFC
Protection		IP68

Display / Continuous loop

Total flow (Forward-Backward)	▼
Backward flow	▼
Current flow	▼
Billing date	▼
Value at billing date	▼
CRC-Code	▼
All off	▼
All on	▼

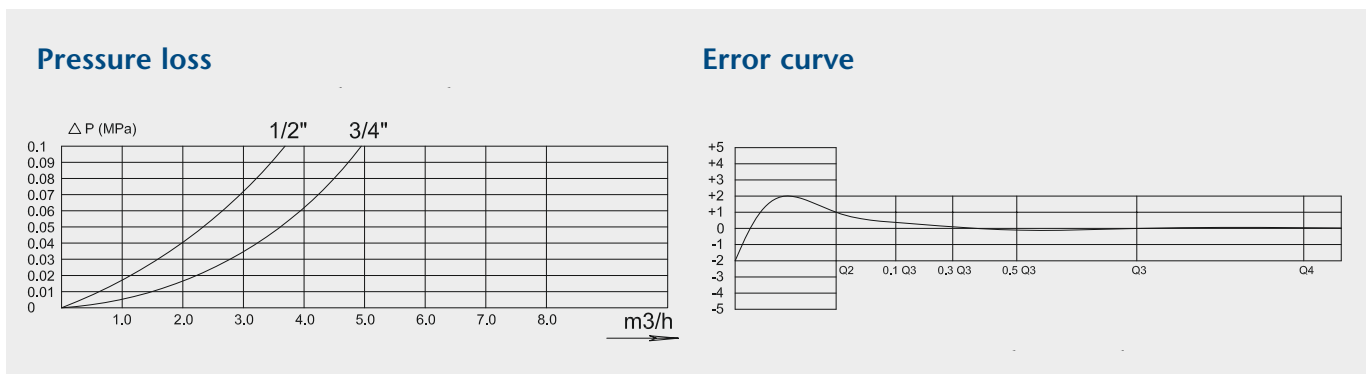




The intelligent measuring cartridge system WG-ElectronicFlow

Approvals / Certificates / Standards

- EU Type examination certificate acc. to directive 2014 / 32 / EU (MID)
- OIML R49
- EN ISO 4064
- KTW-BWGL (material)



Accessories on request



Mounting accessories –
chromium plated



Individual mounting wrenches



Universal in-wall wrench set

