

Mounting instructions

Multijet meters

1. Important information

The water meter shall be installed or exchanged only by trained and briefed professionals such as sanitary, heating and air conditioning service technicians. Basic instructions shall not be agreed.

2. Delivery / transportation / storage

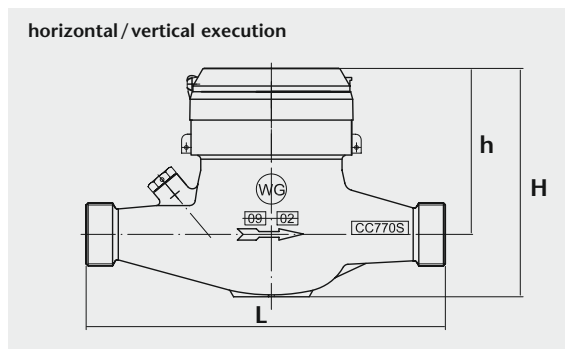
The water meter shall not be subject to shocks or vibrations. Do not store the water meter at temperatures above +50°C and make sure to keep it dry and frost-protected.

3. Mounting

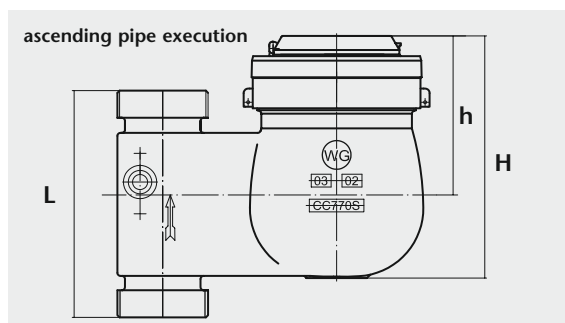
Close the shut-off devices before and after the meter. Dismount existing meters or fitting parts. Flush the pipe thoroughly. Make sure the tight material and the sealing surface are in a proper condition. Mount the new meter in flow direction and in the correct position (horizontal or vertical position, counter not facing down). Mount the water meters so that they are continuously filled with water during measuring in order to avoid formation of air bubbles. The cap nuts shall be tightened with appropriate tools. The shut-off devices shall be opened slowly in order to avoid pressure blows. Check for leakage after implementation. The counter shall be clearly legible at any time.

Important notice:

The seal on the meter may not be breached! A breached sealing leads to instant loss of warranty claims and of conformity.



nominal diameter	L	B	H	h
DN15	165	83	110	77
DN20	190	83	110	77
DN25	260	92	120	81
DN32	260	92	120	81
DN40	300	112	150	96
DN50	300	112	150	96



nominal diameter	L	B	H	h
DN20	105	83	110	77
DN25	150	92	120	81
DN40	150	115	161	106

4. Unmounting / Disposal of waste

Multijet meters shall be disposed acc. to the valid local environmental regulations.

as of 2018/09

Subject to technical modifications