



## Unimeter "ECO" the intelligent measuring capsule system

**Exchange program dry dial for modular radio,  
M-Bus and pulse systems**

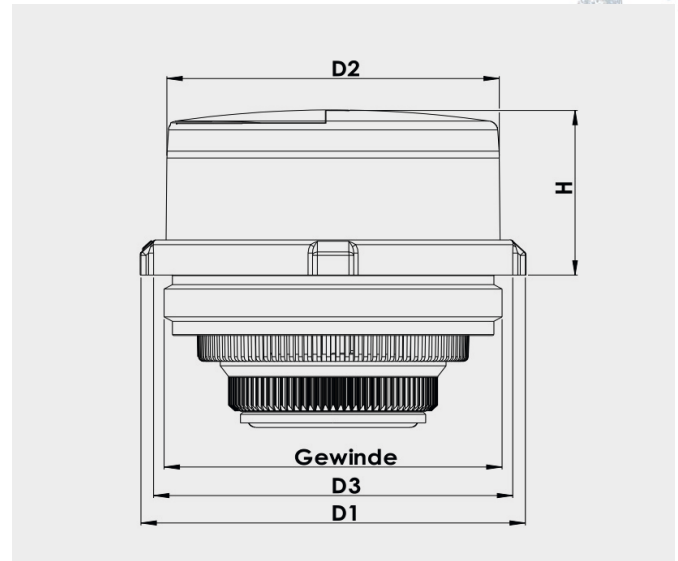
- Easy on site retrofitting with radio, pulse or M-Bus
- For cold and warm water
- 360° rotating counter, horizontal or vertical installation
- Dry dial with 8-digits roller counter and with reverse flow detection
- MID approved





## Technical data: Unimeter "ECO"

The Unimeter series shows an optimum flexibility. The measuring capsules exist for marketable housing types (without adaptation). The existing interface identification on each measuring capsule indicates without doubt the right connection housing also if already mounted.



Interface		IST	MOE/MOC	MET	HT2	TE1	MUK	A34	MB2	MB3	DM1
Compatible with		ISTA	Elster/ABB MO-E/ MO-C EAS-H	Metrona/ Brunata HT3	Metrona/ Brunata 307/1	Techem Vario-S	SPX Pollumuk	Allmess UP 6000	Minol MB2	Minol MB3	Delta- mess
Nominal flow rate	Q <sub>3</sub> (MID)	2.5	2.5	2.5	2.5	2.5	2.5	2.5	2.5	2.5	2.5
Nominal flow rate	Q <sub>n</sub> (EWG)	1.5	1.5	1.5	1.5	1.5	1.5	1.5	1.5	1.5	1.5
Connection thread		G2"	M65x2	M64x2	M66x1	M62x2	G2 ¼	M77x1.5	M80x1.5	M76x1.5	M60x2
Starting point	l/h	10	10	10	10	10	10	10	10	10	10
D1	mm	75	75	75	78.3	75	75	75	\	75	75
D2	mm	65	65	65	64.7	64.5	65	65	65	65	65
D3	mm	71	71	71	70	65	71	71	71	71	71
Height H approx.	mm	60	34.5	34.6	34.5	39	34.7	60	44	60	55
Weight approx.	kg	0.34	0.23	0.23	0.32	0.42	0.26	0.5	0.5	0.5	0.4
R	H/V	80/40	80/40	80/40	80/40	80/40	80/40	80/40			

Typical device values in horizontal position

