

Apartment water meter "ECO"

ECO apartment water meter – the multi-talent for modular radio, M-Bus and pulse systems

- Easy on site retrofitting of the ECO meter
- Usage of different radio systems with 868 MHz –
technique and reverse flow detection
- Pulse system acc. to DIN 43864
- M-Bus module acc. to 1434-3
- Add-on radio module with enough battery capacity
for two calibration periods plus reserve



Executions: Plastic housing
out of composite



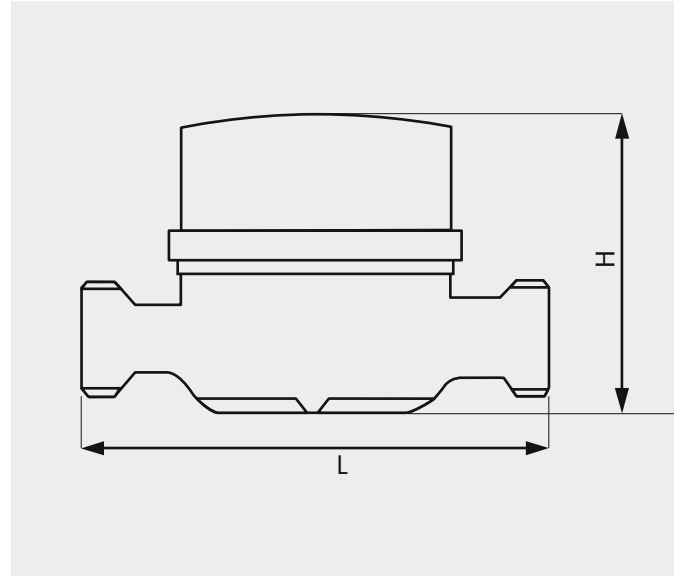


The flexible ETW "ECO" Generation

- For cold water up to 50°C
- For warm water up to 90°C
- Horizontal and vertical installation
- Retrofitting capability for radio module
- Retrofitting capability for M-Bus module
- Retrofitting capability for pulse module

Discharging the building management by:

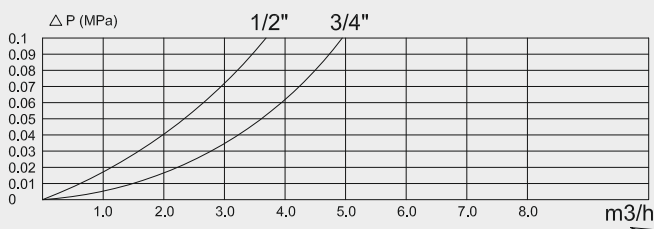
- Avoiding special visits, saving thus extra costs by easy reading for vacant apartments
- Avoiding appointment coordination for apartments which are not accessible
- Avoiding consumption estimation in case of absence of the residents or built-in devices
- An accurate and thus low-conflict account
- an exact data collection which is possible 365 days a year



Technical data: apartment water meter ETW-ECO

Type:	VE	Order-No.	Nominal size Q3–m³/h	Inch	Overall length mm	Installation Height	Weight kg	EAN-Code
ETW-ECO cold water	10	25100	1.6	1/2"	110	65	0.44	4029376251003
	10	25101	2.5	1/2"	60	65	0.44	4029376251010
	10	25102	2.5	1/2"	80	65	0.42	4029376251027
	10	25103	2.5	1/2"	110	65	0.46	4029376251033
	10	25105	4	3/4"	130	65	0.54	4029376251058
ETW-ECO warm water	10	25600	1.6	1/2"	110	65	0.44	4029376256008
	10	25601	2.5	1/2"	60	65	0.44	4029376256005
	10	25602	2.5	1/2"	80	65	0.42	40293762560??
	10	25603	2.5	1/2"	110	65	0.46	4029376256039
	10	25605	4	3/4"	130	65	0.54	4029376256053

Pressure loss curve



Error curve

