



## Unimeter "ECO" – UP-6007-T (Techem) the intelligent measuring capsule system Thread M62x2/Connection interface T€1

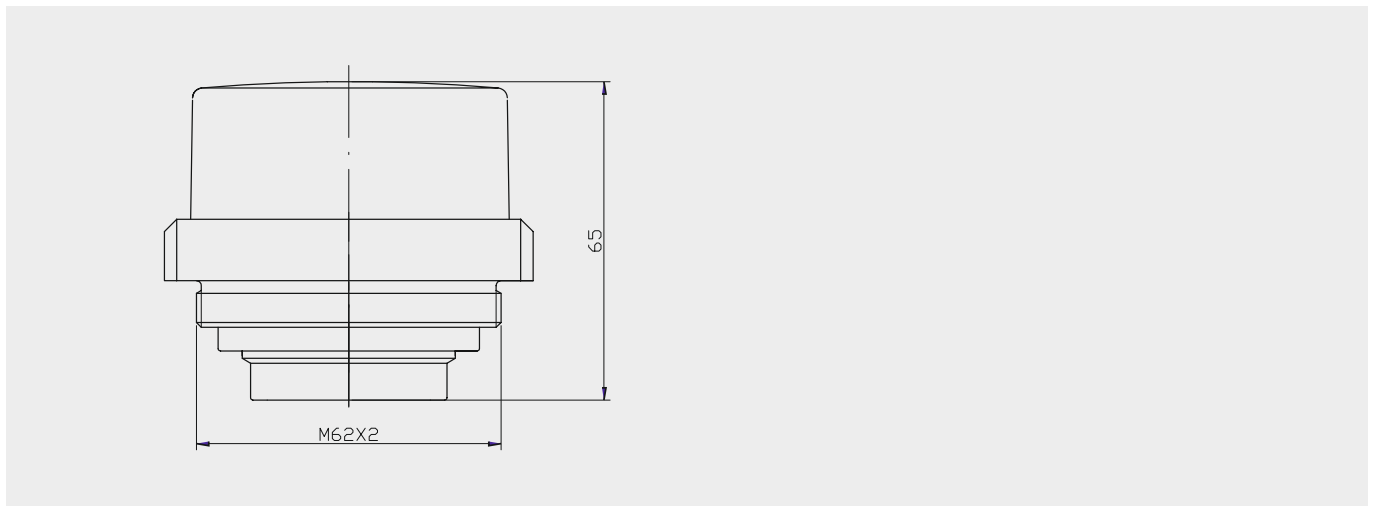
**Exchange program dry dial for modular radio,  
M-Bus and pulse systems**

- Easy on site retrofitting with radio, pulse or M-Bus
- For cold and warm water
- 360° rotating counter, horizontal and vertical installation
- Dry dial with 8-digits roller counter and return flow detection
- Individual marking on customer demand
- MID approved





**Technical data: Measuring insert UP-6007-T  
with connection interface TE1, Thread M62x2**

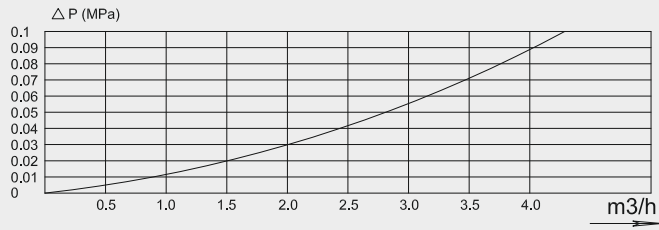


UP-6007-T		DN	mm	15	20
Nominal size housing					
Highest display value			m <sup>3</sup>	99 999	
Lowest display value			m <sup>3</sup>	0.0005	
Max. admitted pressure			-	MAP10	
Admitted pressure load			bar	from 0.3 to 10	
Pressure loss				ΔP63	
Temperature			T	50, 90	
Damping zone				U0/D0	
Admitted installation position				H/V	
Climatic and mechanical environment				Closed area / from 5°C up to 55°C / M1	
Connection thread				G¾, G½	
Overall length			mm	110	
Height			mm	65	
Weight			kg	0.28	
Min. flow rate	Q <sub>1</sub> H		m <sup>3</sup> /h	0.03125	
	Q <sub>1</sub> V		m <sup>3</sup> /h	0.0625	
Transitional flow rate	Q <sub>2</sub> H		m <sup>3</sup> /h	0.05	
	Q <sub>2</sub> V		m <sup>3</sup> /h	0.1	
Permanent flow rate	Q <sub>3</sub>		m <sup>3</sup> /h	2.5	
Overload flow rate	Q <sub>4</sub>		m <sup>3</sup> /h	3.125	
Measuring accuracy range	Q <sub>3</sub> /Q <sub>1</sub>		H	80	
	Q <sub>3</sub> /Q <sub>1</sub>		V	40	
Ratio	Q <sub>2</sub> /Q <sub>1</sub>			1.6	





### Pressure loss curve



### Error curve

