



Domestic water meter for cold water up to 30 °C – wet dial cartridge meter

Multijet – wet dial – roller counter for horizontal installation

- Universal exchangeable cartridge
- Non-return-valve in the housing as a standard
- CRI-interface marking acc. to DIN EN 14154
- MID approved





Usage

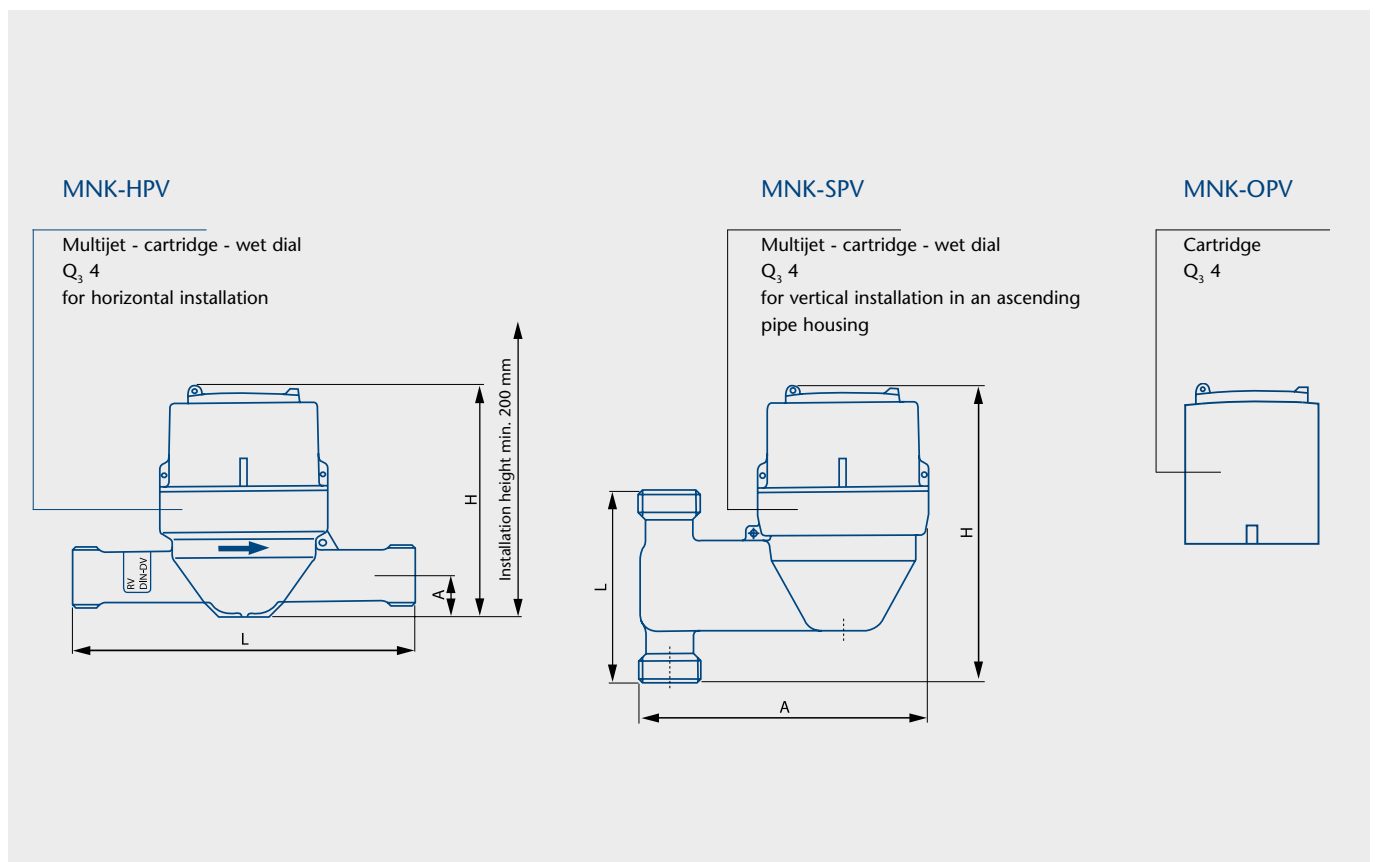
The principle of an exchangeable cartridge shows flexibility and is environmental friendly, as the housing stays in the circuit and the cartridges can be recycled

The annual check acc. to DIN 1988 can be dropped, because of the regular exchange of the cartridge.

The measuring technique is based on the proved multijet principle. The wheel axis of the gear wheel are separately mounted and flushed. The counter wheel and the drive between the wheel and the gear are encapsulated. The cartridges meet the requirements of the PTB as well as of the EC directives.

The multijet wet dial cartridge can be used for clean to slightly dirty water. Measuring inserts and non-return valves can be exchanged by only a few handles. The housing is made out of brass. They are corrosion resistant and comply with the valid standards.

Technical data for multijet – cartridge – wet dial MNK-HPV, –SPV and -OPV



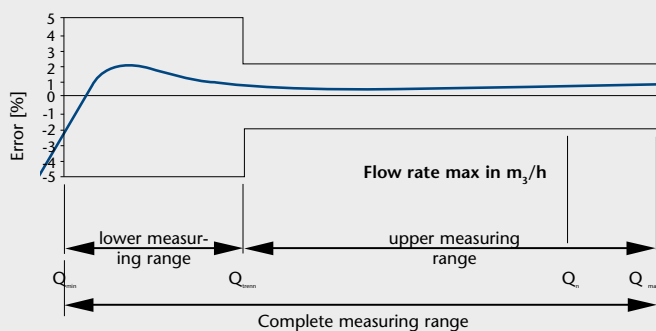


MNK-HPV. MNK-SPV

Nominal size	DN	mm inch	20 ¾	20 ¾
Overall length without couplings	L2	mm	190	105ST
Overall length incl. couplings approx.	L1	mm	286	205
Thread meter G x B	D1	inch	1	1
Thread coupling Rx	D2	inch	¾	¾
Width approx.	B	mm	94	94
Height approx.	H1 H2	mm mm	135 22	140 –
Weight approx. incl. brass screw fitting cap	H1	mm kg	142 1.7	147 2.0
Weight approx. incl. plastic screw fitting cap		kg	1.7 1.3	2.0 1.6
Permanent flow	Q ₃	m ³ /h	4	4
Equivalent nominal flow (EWG)	Q _n	m ³ /h	2.5	2.5
Standard measuring range horizontal *	Q ₃ /Q ₁	R	R80H	R80H
Overload flow rate	Q ₄	m ³ /h	5	5
Minimal flow rate	Q ₁	l/h	50	50
Starting point		l/h	5	5
Display range	min. max.	l m ³	0.1 99.999	0.1 99.999
Max. temperature		°C	50	50
Max. work pressure	PN	bar	16	16

* Further measuring ranges on demand

Error curve



Pressure loss curve

